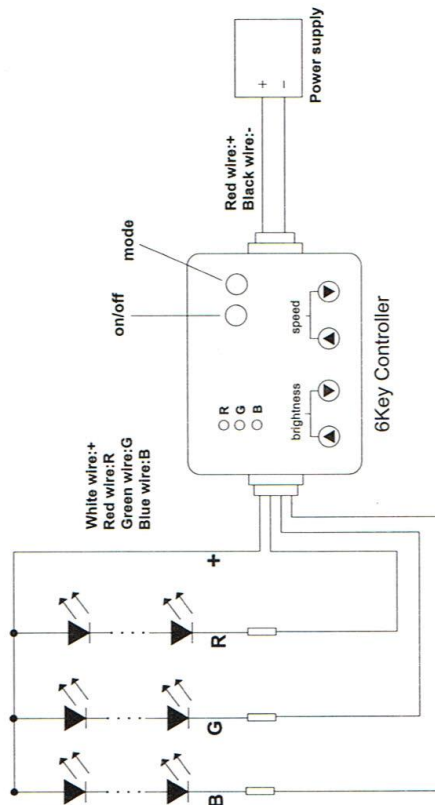


# USER MANUAL



## IR 6KEY CONTROLLER

### V.Connect Diagram



IR 6key Controller is specially designed for controlling LED multicolor changing patterns. Its slim and delicate shape enables a no-sweat installation. The design flexibility on LED fittings will be enhanced enormously. The remote controlling system is to make your home decoration possible with industrial products.

### I. Specifications

Working temperature: -20-60 °C  
 Supply voltage: DC  5V  12V  24V  
 Product size: L89×W70×H28 mm  
 Package size: L160×W95×H51mm  
 Net weight:150g  
 Gross weight:185g  
 Output: Three CMOS drain- open output  
 Connecting Mode: Common anode  
 Max output current: 4 A each color

### II. Control Method

Adopt manual&IR remote control method, function of each button as below:  
 On/off : Output switch  
 Mode:It is a major function key. Press one time, one pattern will appear.  
 Brightness+<▲>:To increase brightness

Brightness-<▼> : To decrease brightness  
 Speed+<▲>:To speed up color changing  
 Speed- <▼>:To speed down color changing

### III.Pattern Table

No.	Style	Remarks
1	Static red	Brightness adjust available Speed adjust not available
2	Static blue	
3	Static pink	
4	Static green	
5	Static yellow	
6	Static cyan	
7	Static white	
8	Three color jumpy change	Brightness adjust available
9	Seven color jumpy change	Speed adjust available
10	Three color gradually change	Brightness adjust not available
11	Seven color gradually change	Speed adjust not available

### IV.Safety Information

1. The input voltage of this controller should be follow the specifications, other high voltage would most probably destroy it.
2. The 4 wires coming out of the controller can't be incorrectly interconnected, or short circuit could occur.
3. Connect the wires of the controller and LED fittings as per the instruction.